

# SPARE PARTS

## DUST COLLECTOR

**Model. DC-3**

Order Code W394

*Edition No : DC3-1*

*Date of Issue : 09/2021*

The following section covers the spare parts diagrams and lists that were current at the time this manual was originally printed. Due to continuous improvements of the machine, changes may be made at any time without notification.

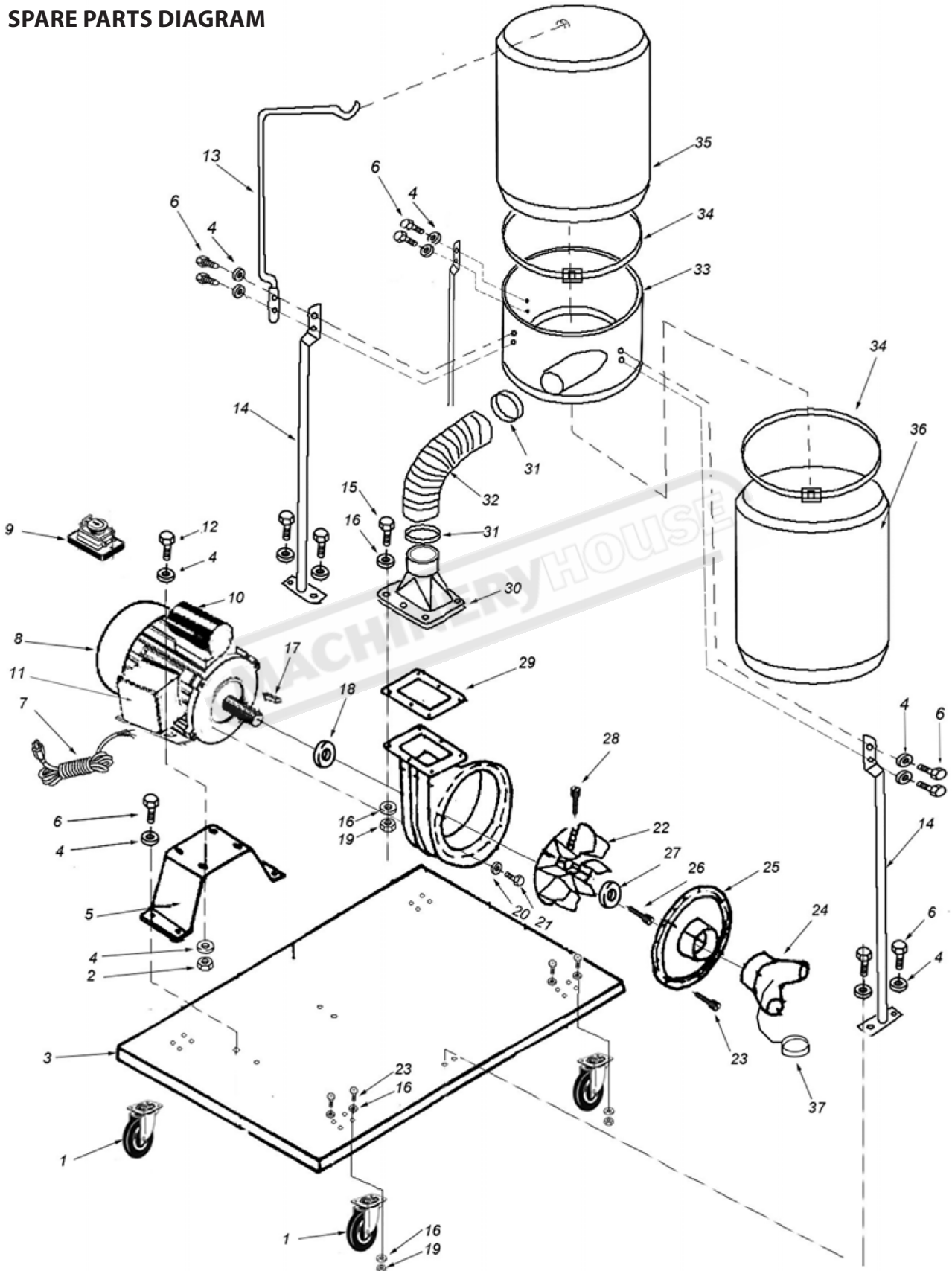
### HOW TO ORDER SPARE PARTS

1. Have your machines model number, serial number & date of manufacture on hand, these can be found on the specification plate mounted on the machine
2. A scanned copy of your parts list/diagram with required spare part/s identified.

**NOTE: SOME PARTS MAY ONLY BE AVAILABLE AS AN ASSEMBLY**

3. Go to [www.machineryhouse.com.au/contactus](http://www.machineryhouse.com.au/contactus) and fill out the inquiry form attaching a copy of scanned parts list.

**SPARE PARTS DIAGRAM**



**SPARE PARTS LIST**

No.	Description
1.	Universal Caster
2.	Nut M8
3.	Base Plate
4.	Washer 8 mm
5.	Motor Support Bracket
6.	Bolt M8 x 16
7.	Mains Lead
8.	Motor
9.	Switch
10.	Capacitor
11.	Switch box
12.	Bolt M8 x 25
13.	Upper bag support
14.	Collector Support
15.	Bolt M6 x 20
16.	Washer 6 mm
17.	Key
18.	Packing
19.	Nut M6
20.	Washer
21.	Screw Hex
22.	Turbo Fan
23.	Screw M6 Cross head
24.	Double Inlet Adapter
25.	Inlet cover
26.	Screw Hex
27.	Washer
28.	Screw hex
29.	Main Fan Assembly Outlet Seal
30.	Main Fan Assembly Outlet
31.	Hose clamp
32.	Main On-board Hose
33.	Collector assembly
34.	Bag clamp
35.	Filter bag
36.	Collector bag
37.	Inlet adapter cover

NOTE: SOME INDIVIDUAL PARTS MAY ONLY BE AVAILABLE AS AN ASSEMBLY